

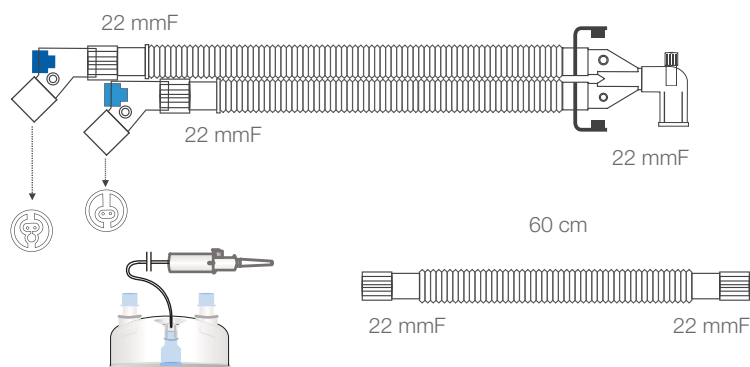
Breathing Circuits

Heated Wire Circuits

- Compatible with MR500,600,730, Coancha 4 Vital Signs SCT3000
- Compatible with MR850 inspiratory, limb
- Compatible with MR850 expiratory, limb



HEATED WIRE CIRCUITS, DOUBLE HEATED WIRE WITH LIMB FOR MR800 SERIES HUMIDIFIER



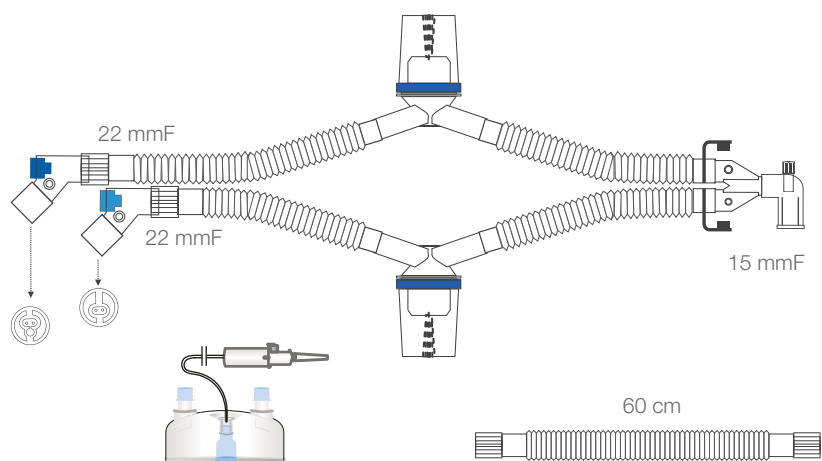
Corrugated

	Length	Code	Qty/Box
Adult	180 cm/71"	AL-5101-020/2	30
Pediatric	180 cm/71"	AL-5401-020/2	30

Smoothbore

	Length	Code	Qty/Box
Adult	180 cm/71"	AL-5202-020/2	30
Pediatric	180 cm/71"	AL-5502-020/2	30

HEATED WIRE CIRCUITS, DOUBLE HEATED WIRE WITH LIMB FOR MR800 SERIES HUMIDIFIER

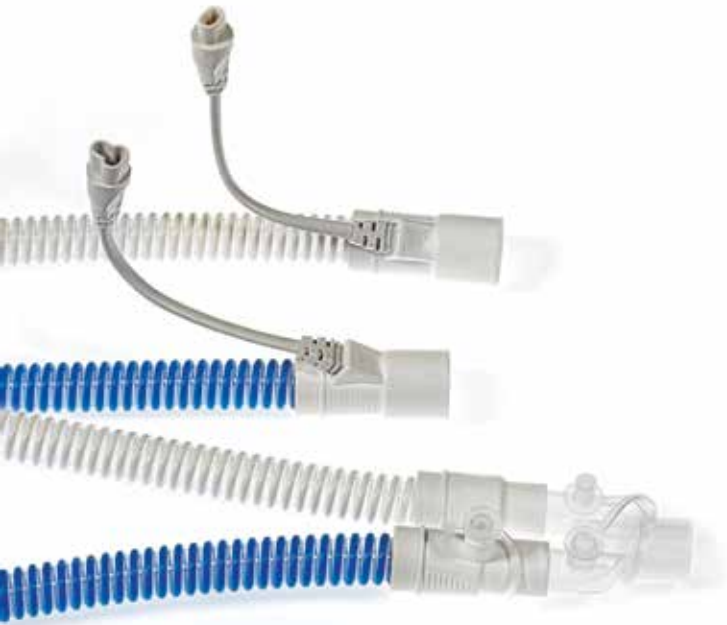


Corrugated

	Length	Code	Qty/Box
Adult	180 cm/71"	AL-5121-020/2	30
Pediatric	180 cm/71"	AL-5421-020/2	30

Smoothbore

	Length	Code	Qty/Box
Adult	180 cm/71"	AL-5222-020/2	30
Pediatric	180 cm/71"	AL-5522-020/2	30

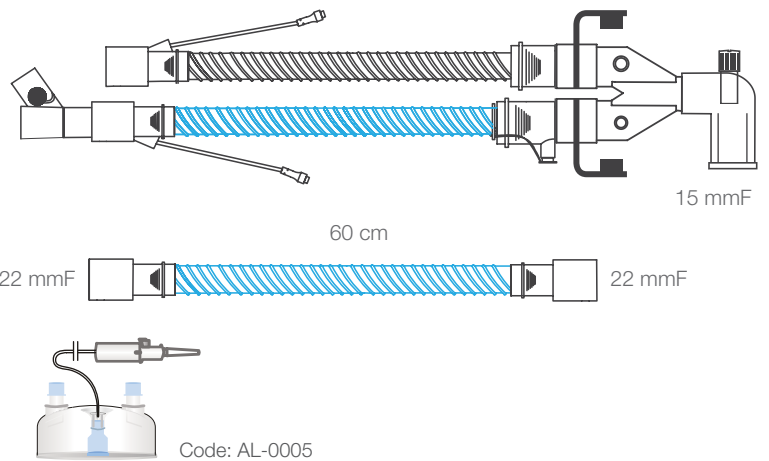


Embedded Heated Wire Circuits

- Uniform heating along the length of the tube
- Very effective in avoiding condensation
- No substrate for bacterial VAP
- Wires have no direct contact with air flow
- Minimizing condensate related ventilator alarms
- Extremely low compliance and flow resistance due to smooth interior tube

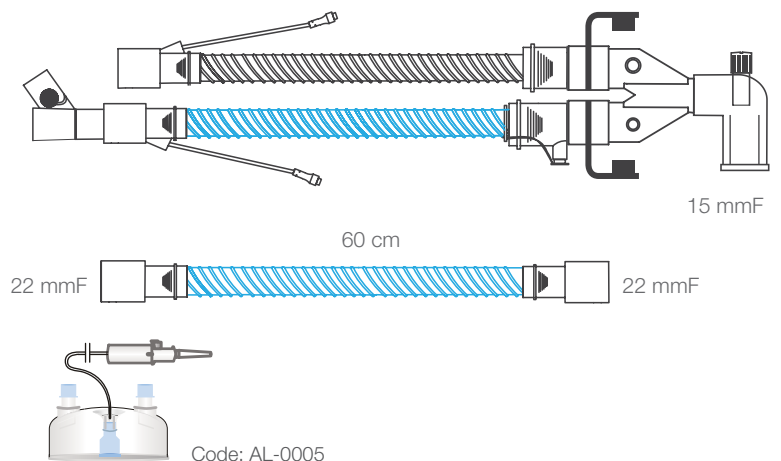
EMBEDDED ADULT HEATED WIRE CIRCUIT WITH AUTOFEED HUMIDIFIER CHAMBER

Smoothbore			
	Length	Code	Qty/Box
Adult	180 cm/71"	AL-52602-020/2	25



EMBEDDED PEDIATRIC HEATED WIRE CIRCUIT WITH AUTOFEED HUMIDIFIER CHAMBER

Smoothbore			
	Length	Code	Qty/Box
Pediatric	180 cm/71"	AL-52702-020/2	25

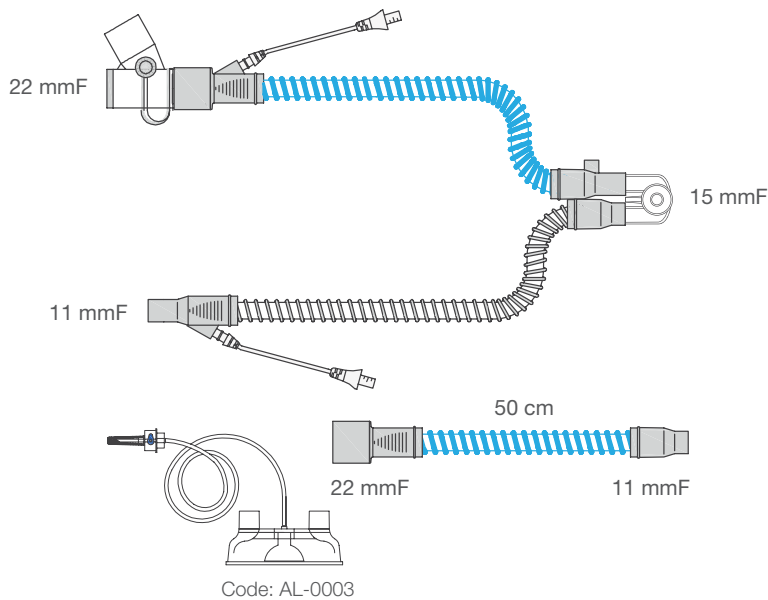


Embedded Heated Wire Circuits

- Uniform heating along the length of the tube
- Very effective in avoiding condensation
- No substrate for bacterial VAP
- Wires have no direct contact with air flow
- Minimizing condensate related ventilator alarms
- Extremely low compliance and flow resistance due to smooth interior tube



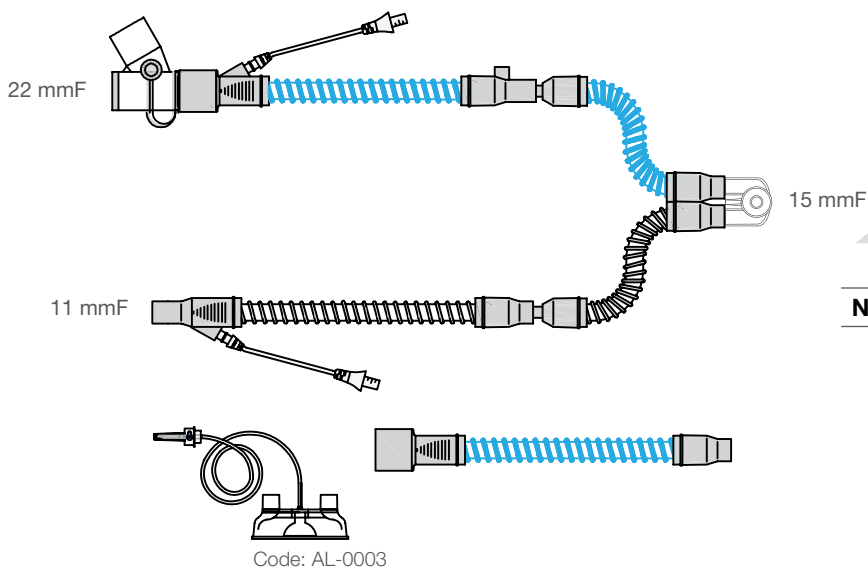
EMBEDDED NEONATAL HEATED WIRE CIRCUIT WITH AUTOFEED HUMIDIFIER CHAMBER



Smoothbore

	Length	Code	Qty/Box
Neonatal	180 cm/71"	AL-52802-020/2	25

EMBEDDED NEONATAL HEATED WIRE CIRCUIT WITH AUTOFEED HUMIDIFIER CHAMBER



Smoothbore

	Length	Code	Qty/Box
Neonatal	180 cm/71"	AL-52902-020/2	25