

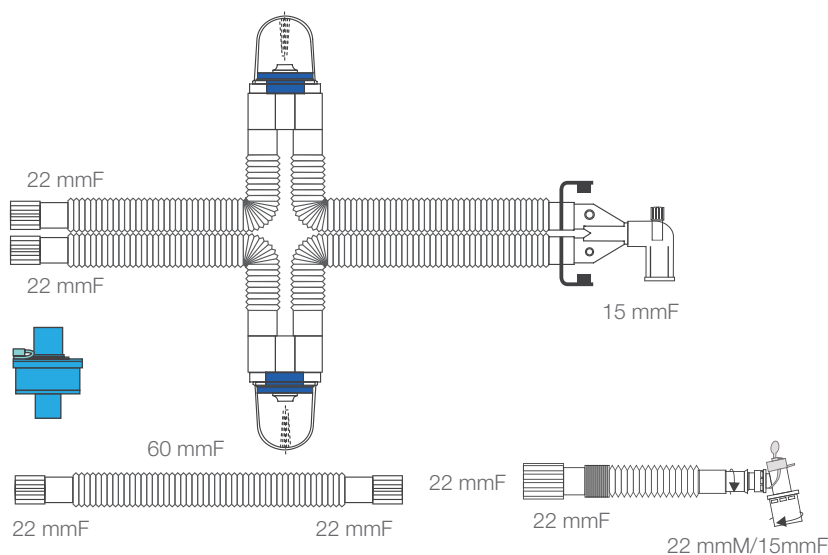
Breathing Circuits

Ventilation Circuits

- Altech ventilation circuit range is specially designed with low compliance tubes for patients requiring mechanical ventilation in Intensive Care Units.
- A wide variety of ICU Breathing Systems are offered to meet individual requirements without compromising the patient and healthcare workers safety.



VENTILATION CIRCUITS WITH INSP. & EXP. WATER TRAP & BACTERIAL HME FILTER & CATHETER MOUNT & LIMB



Corrugated

	Length	Code	Qty/Box
Adult	160 cm/63"	AL-1121-206	30
Pediatric	160 cm/63"	AL-1421-206	30

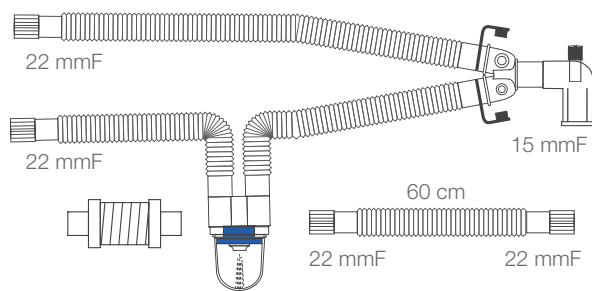
Extendible

	Length	Code	Qty/Box
Adult	180 cm/71"	AL-1323-206	40
Pediatric	150 cm/59"	AL-1623-206	40

Smoothbore

	Length	Code	Qty/Box
Adult	180 cm/71"	AL-1222-206	30
Pediatric	150 cm/59"	AL-1522-206	30

VENTILATION CIRCUITS WITH LIMB & MDI CHAMBER



Corrugated

	Length	Code	Qty/Box
Adult	160 cm/63"	AL-1111-000/3	30
Pediatric	160 cm/63"	AL-1411-000/3	30

Smoothbore

	Length	Code	Qty/Box
Adult	160 cm/63"	AL-1212-000/3	30
Pediatric	160 cm/63"	AL-1512-000/3	30

VENTILATION CIRCUITS WITH LIMB & MDI CHAMBER

• A special circuit for delivering aerosoled bronchodilators through ventilator circuit thanks to a specially designed collapsible holding chamber to be left in the inspiratory limb of a ventilator circuit, and can be collapsed when not in use without interruption of continuous mechanical ventilation.

- Improved Medication Delivery
- 22M/22F connections
- Can be used with all commonly prescribed MDI canisters

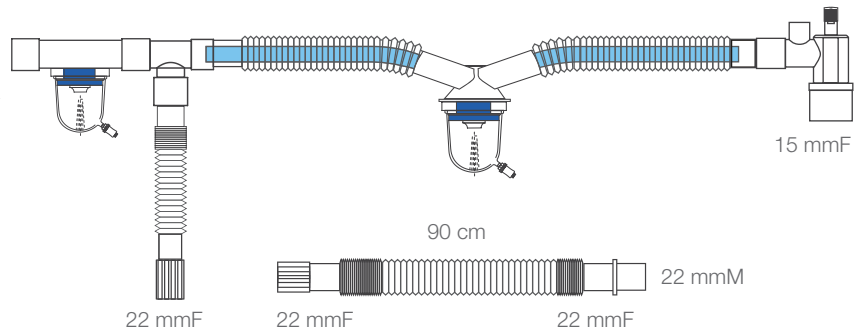


Fully Closed Ventilation Circuits

CONTINUITY OF MECHANICAL VENTILATION and MINIMUM INFECTION RISK
 Proper humidification of mechanically ventilated patients is very important. Active humidification commonly used for adequate humidification comes with challenge of water condensation in the circuit. Condensation that collects in the ventilation circuit is considered to be contaminated and it should be handled and removed carefully for infection control purposes. If the system is opened to drain the condensate; consequences such as contamination of interior of the circuit; exposure of caregiver to contaminated condensate; cross-contamination of other patients and possible collapse of the alveoli due to breakage of the circuit increase the risk of interruption and failure of clinicians' therapy. Collection and drainage of the condensate with a closed system is crucial to eliminate challenges above and to prevent infection (VAP and sepsis). Altera fully closed ventilation circuits contribute to continuous ventilation therapy without interruption and with minimized infection risk.

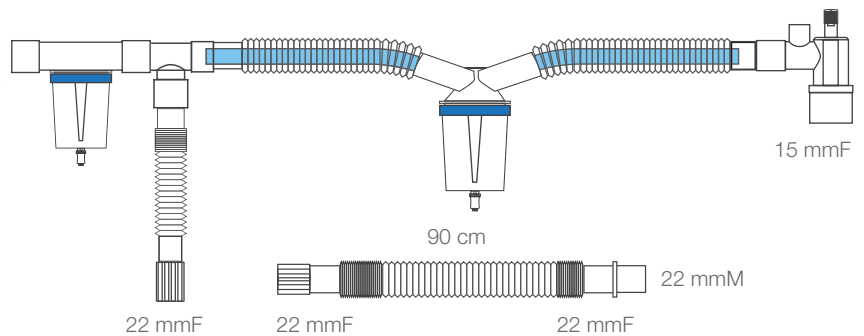
COAXIAL VENTILATION CIRCUIT W/INTEGRATED NEEDLE FREE WATER TRAP

Corrugated			
	Length	Code	Qty/Box
Adult	180 cm/71"	AL-1923-000/9.V002	50
Pediatric	180 cm/71"	AL-P1923-000/9.V002	50



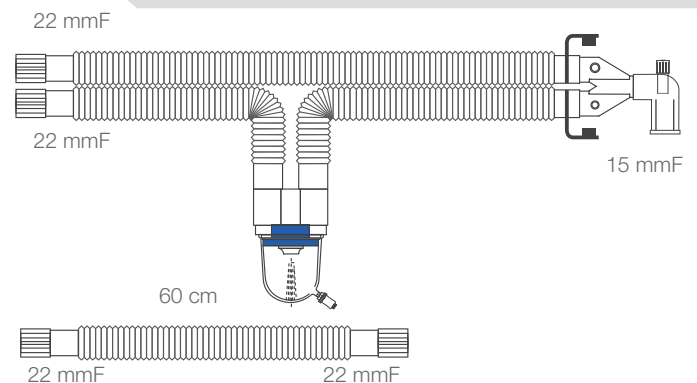
COAXIAL VENTILATION CIRCUIT W/INTEGRATED NEEDLE FREE WATER TRAP

Corrugated			
	Length	Code	Qty/Box
Adult	180 cm/71"	AL-1923-000/9.V001	50
Pediatric	180 cm/71"	AL-P1923-000/9.V001	50



PARALLEL VENTILATION CIRCUIT W / INTEGRATED NEEDLE FREE WATER TRAP

Corrugated			
	Length	Code	Qty/Box
Adult	160 cm/63"	AL-1111-000/9.V001	50
Pediatric	160 cm/63"	AL-1411-000/9.V001	50



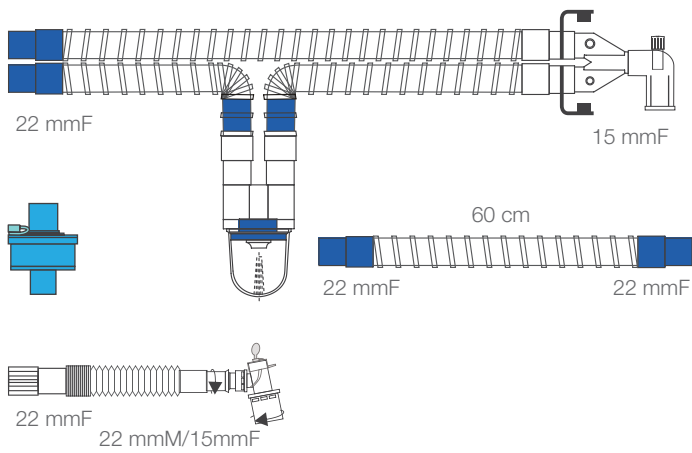
Ventilation Circuits

Safety

- Offering a wide range of water traps
- The self-sealing closure allows the water trap to be emptied without interrupting flow.
- As the base of water trap is opened the internal valve automatically shuts down and
- Avoids possible air leakages



VENTILATION CIRCUIT W / WATER TRAP LIMB & BACTERIAL HME FILTER & CATHETER MOUNT



Corrugated

	Length	Code	Qty/Box
Adult	160 cm/63"	AL-1111-206	25
Pediatric	160 cm/63"	AL-1411-206	25

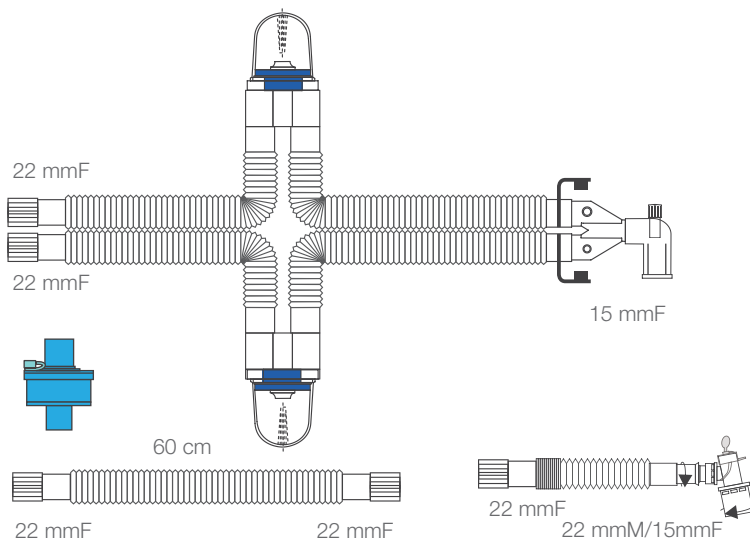
Smoothbore

	Length	Code	Qty/Box
Adult	180 cm/71"	AL-1212-206	30
Pediatric	150 cm/59"	AL-1512-206	30

Extendible

	Length	Code	Qty/Box
Adult	180 cm/71"	AL-1313 -206	40
Pediatric	150 cm/59"	AL-1613-206	40

VENTILATION CIRCUIT W / WATER TRAPS LIMB & BACTERIAL HME FILTER & CATHETER MOUNT



Corrugated

	Length	Code	Qty/Box
Adult	160 cm/63"	AL-1121-206	30
Pediatric	160 cm/63"	AL-1421-206	40

Smoothbore

	Length	Code	Qty/Box
Adult	180 cm/71"	AL-1222-206	30
Pediatric	150 cm/59"	AL-1522-206	40

Extendible

	Length	Code	Qty/Box
Adult	180 cm/71"	AL-1323-206	40
Pediatric	150 cm/59"	AL-1623-206	50